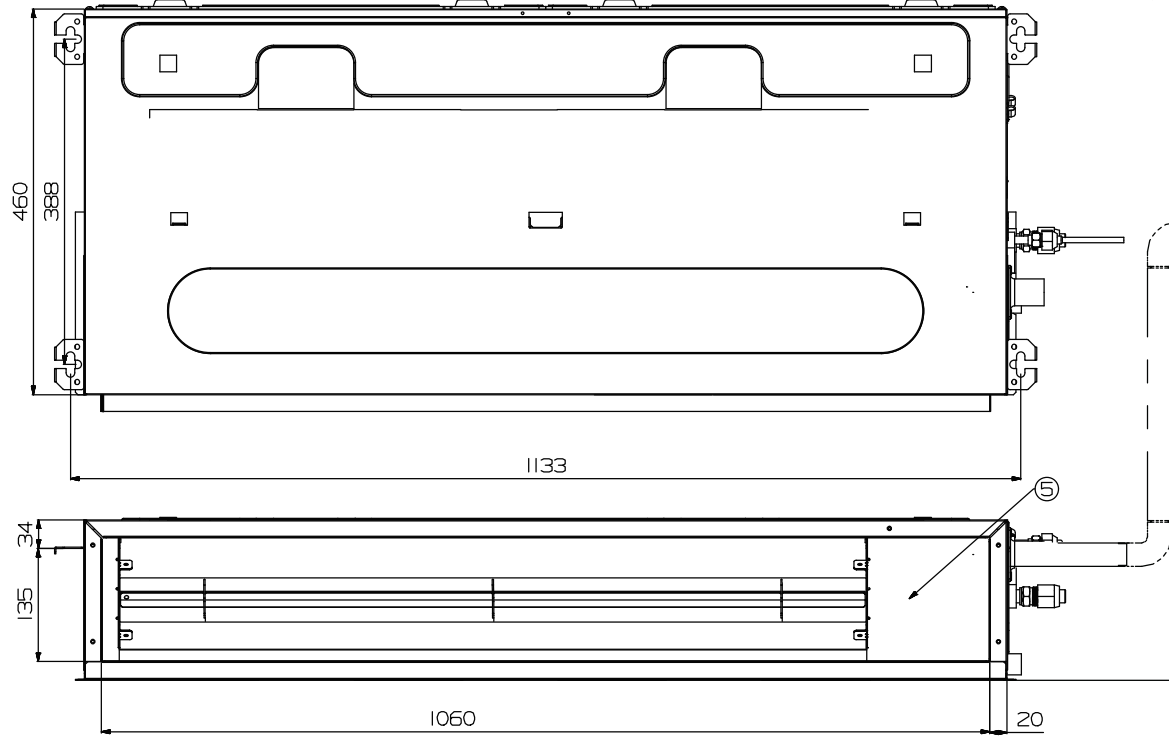
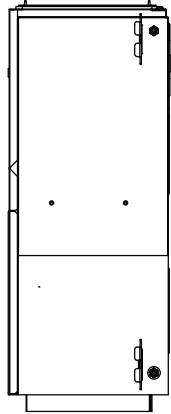
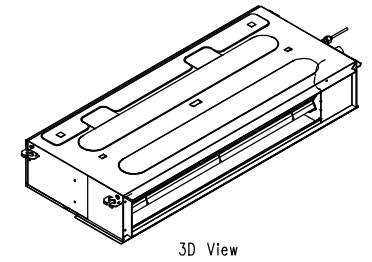
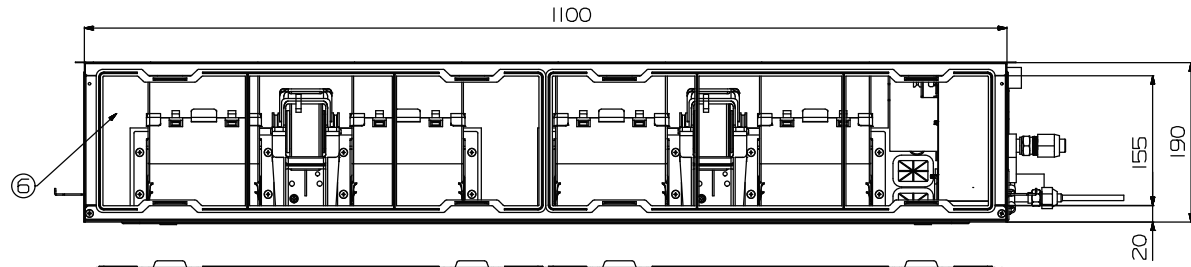
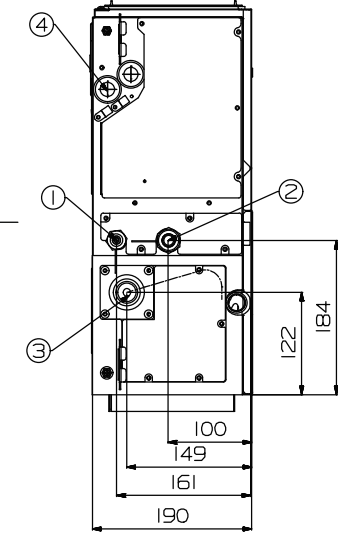
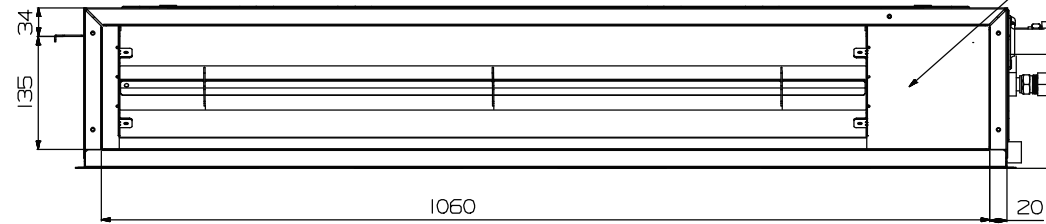


[Unit : mm]
Chassis : L6



Head of Water lift : 700 or less



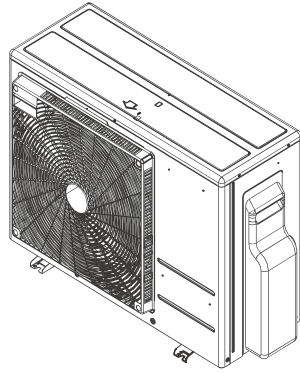
Note

1. Unit should be installed in compliance with the installation manual in the product box.
2. Unit should be grounded in accordance with the local regulations or applicable national codes.
3. All electrical components and materials to be supplied from the site must comply with the local regulations or international codes.
4. Electric characteristics chapter should be considered for electrical work and design. Especially, the power cable and circuit breaker should be selected in accordance with that.

6	Air suction	-
5	Air discharge	-
4	Power supply connection	-
3	Drain pipe connection	-
2	Gas pipe connection	-
1	Liquide pipe connection	-
No.	Part name	Description

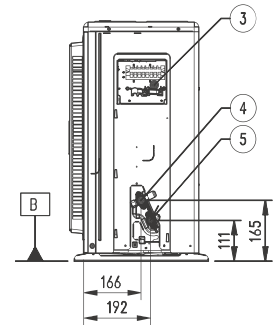
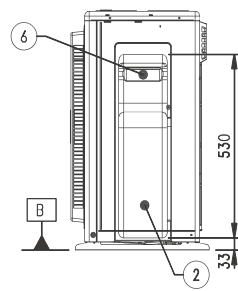
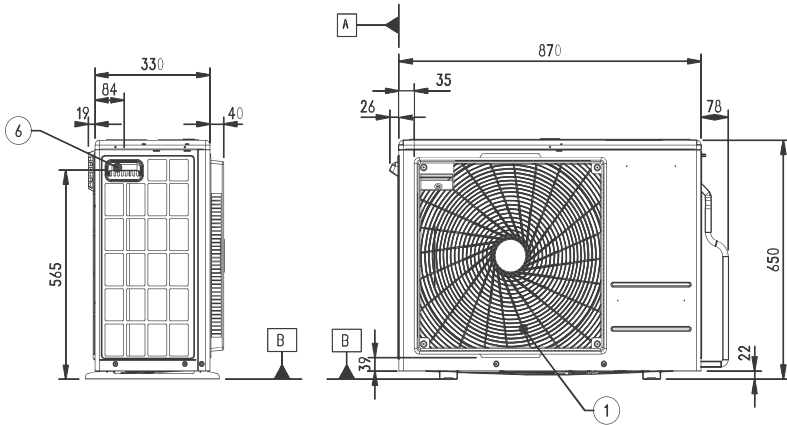
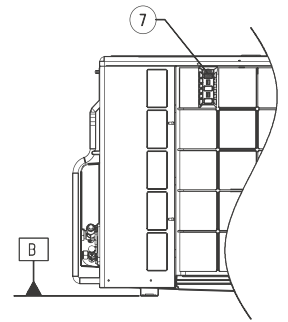
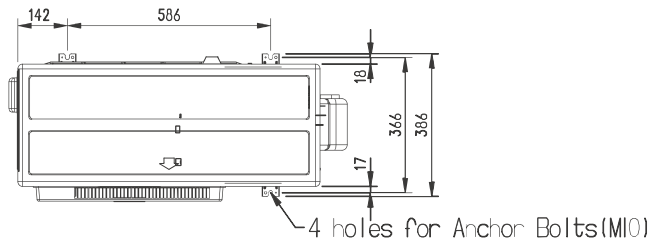
UUB1.U20
Chassis code: U24A

(Unit: mm)



3D View

Onderdeel	
1	Luchtuitrede
2	Control Box
3	Voeding en communicatiekabeldoorvoer
4	Gasleidingaansluiting
5	Vloeistofaansluiting
6	Handgreep
7	Deksel luchtsensor temperatuur



Side View
(removed valve cover)

